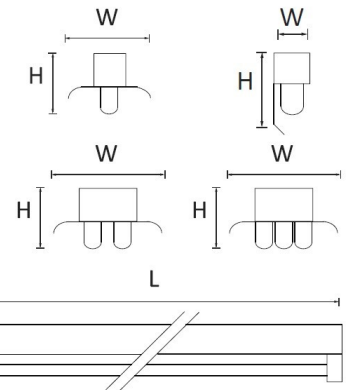




SPECIFICATION

- HOUSING :**
- MADE OF COLD-ROLLED STEEL SHEET
SIX-STAGES ZINC-PHOSPHATE AND ANTI-RUST
FINISHED WITH POLYESTER POWDER COAT
- REFLECTOR :**
- MADE OF COLD-ROLLED STEEL SHEET
SIX-STAGES ZINC-PHOSPHATE AND ANTI-RUST
FINISHED WITH POLYESTER POWDER COAT
- LAMPHOLDER :**
- G13 AND G5 ROTARY SPRING-LOCKED HIGH HEAT
RESISTANCE POLYCARBONATE BODY
 - G13 ROTARY SPRING-LOCKED WATERPROOF
POLYCARBONATE BODY*
 - G13 SPRING LOAD LOCKED HIGH HEAT RESISTANT
POLYCARBONATE BODY *
- WIRES :**
- THW 0.5 mm² STANDARD (1mm² on request)
- REMARK :**
- * = AVAILABLE ON REQUEST



APPLICATION

OFFICE BUILDING, HOSPITAL, DEPARTMENT STORE, SUPERMARKE,
UNIVERSITY, GOVERNMENT BUILDING, FACTORY, SUPERMARKET,
WAREHOUSE, RESIDENTIAL, SHOWROOM, CANTEEN

INSTALLATION SURFACE MOUNT OR SUSPEND MOUNT

PRODUCT CODE	LAMP HOLDER	LAMP TYPE	WATT [FUL]	WATT [LED]	CUT OUT W X L [mm.]	DIMENSION W X L X H [mm.]
<input type="checkbox"/> 8i-118-SS	G13	T8	1X18	1X9	N/A	135X640X95
<input type="checkbox"/> 8i-218-SS	G13	T8	2X18	2X9	N/A	210X640X105
<input type="checkbox"/> 8i-136-SS	G13	T8	1X36	1X18	N/A	135X1245X95
<input type="checkbox"/> 8i-236-SS	G13	T8	2X36	2X18	N/A	210X1245X105
<input type="checkbox"/> 8i-336-SS	G13	T8	3X36	3X18	N/A	285X1245X105

HALF REFLECTOR

PRODUCT CODE	LAMP HOLDER	LAMP TYPE	WATT [FUL]	WATT [LED]	CUT OUT W X L [mm.]	DIMENSION W X L X H [mm.]
<input type="checkbox"/> 7H-118-RL	G13	T8	1X18	1X9	N/A	55X640X130
<input type="checkbox"/> 7H-136-RL	G13	T8	1X36	1X18	N/A	55X640X130